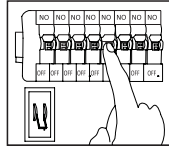
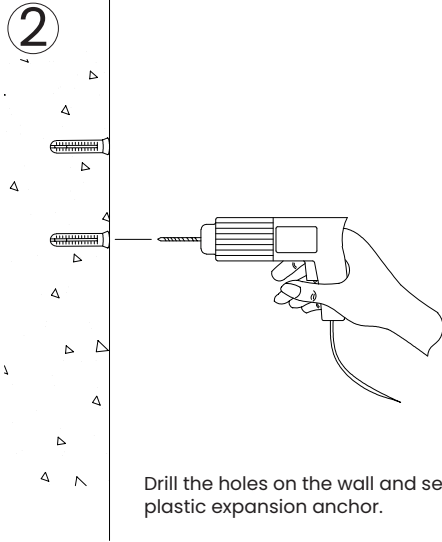


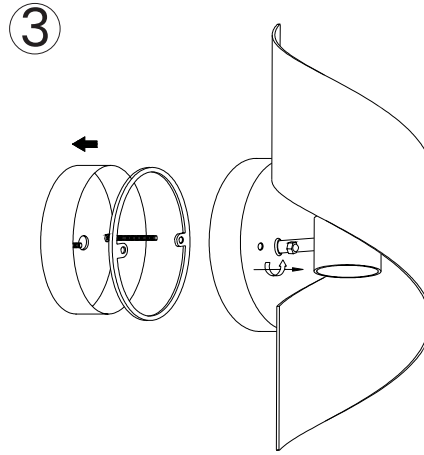
- ① Before starting your installation disconnect the power by turning off the Circuit Breaker or by removing the fuse box. Just turning the light off at the light switch is not sufficient to prevent electrical shock.



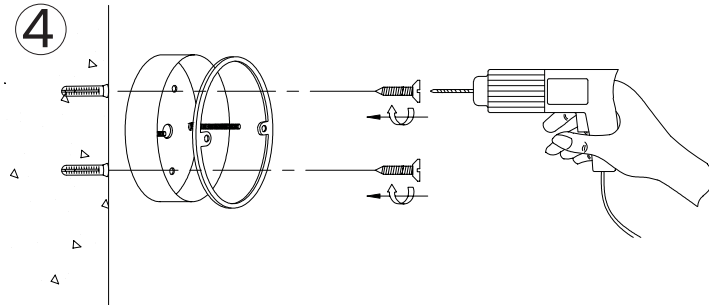
OFF



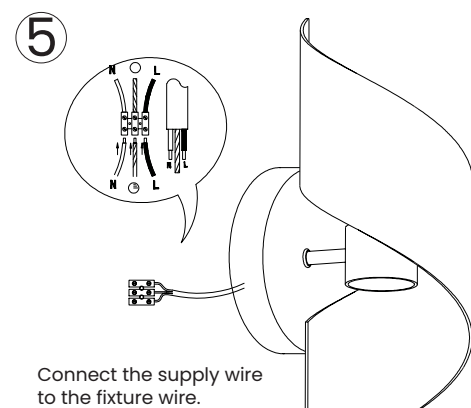
Drill the holes on the wall and set the plastic expansion anchor.



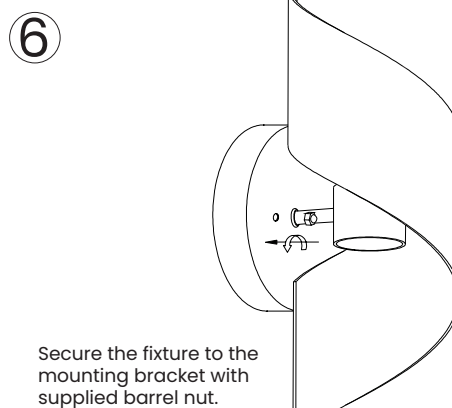
Removing the mounting bracket and washer rubber from the fixture by unscrewing the barrel nut.



Secure the mounting bracket and washer rubber on the wall with supplied screws.



Connect the supply wire to the fixture wire.



Secure the fixture to the mounting bracket with supplied barrel nut.

- ⑦ Restore the electricity and check the operation of your new lighting fixture.

