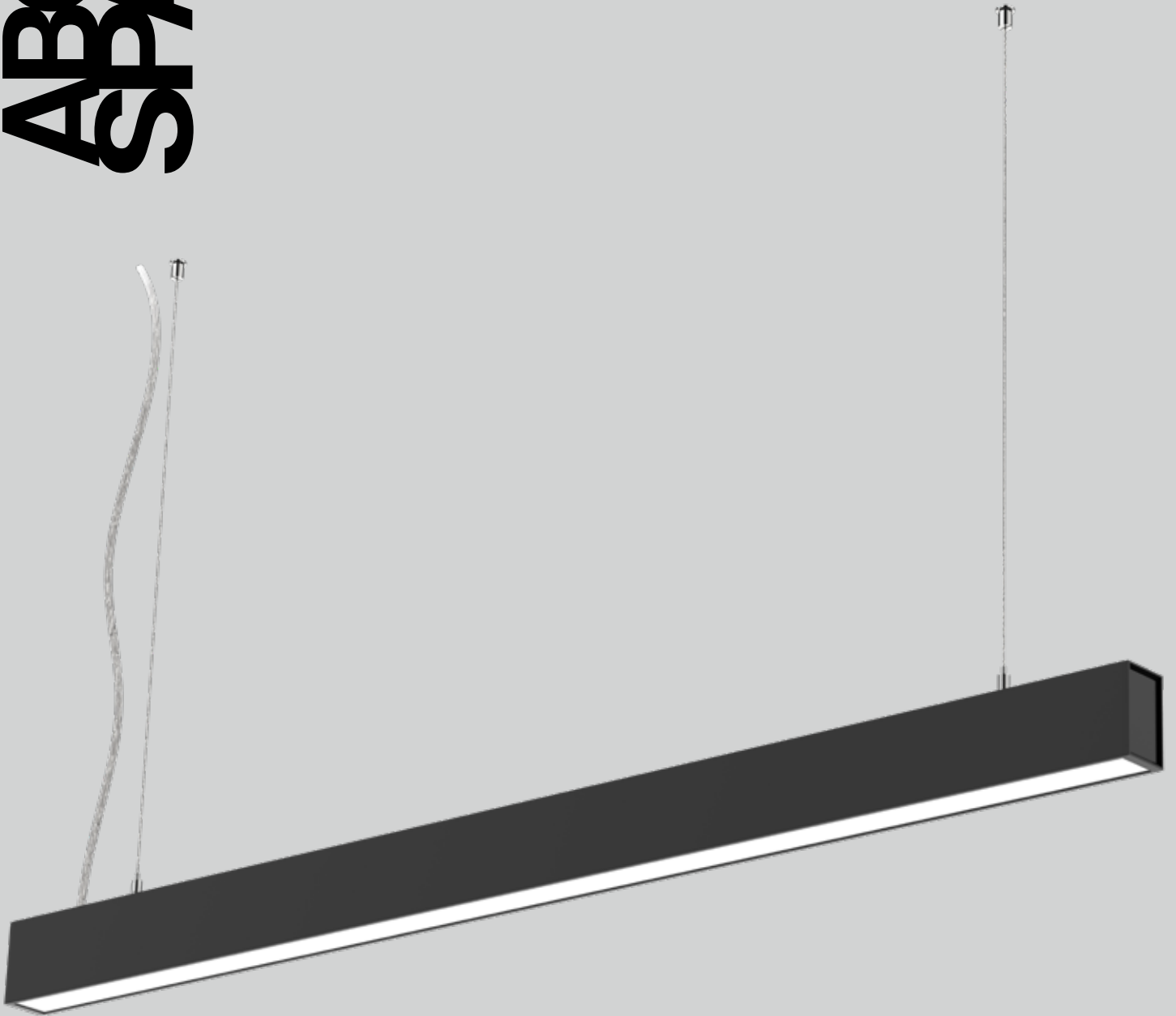


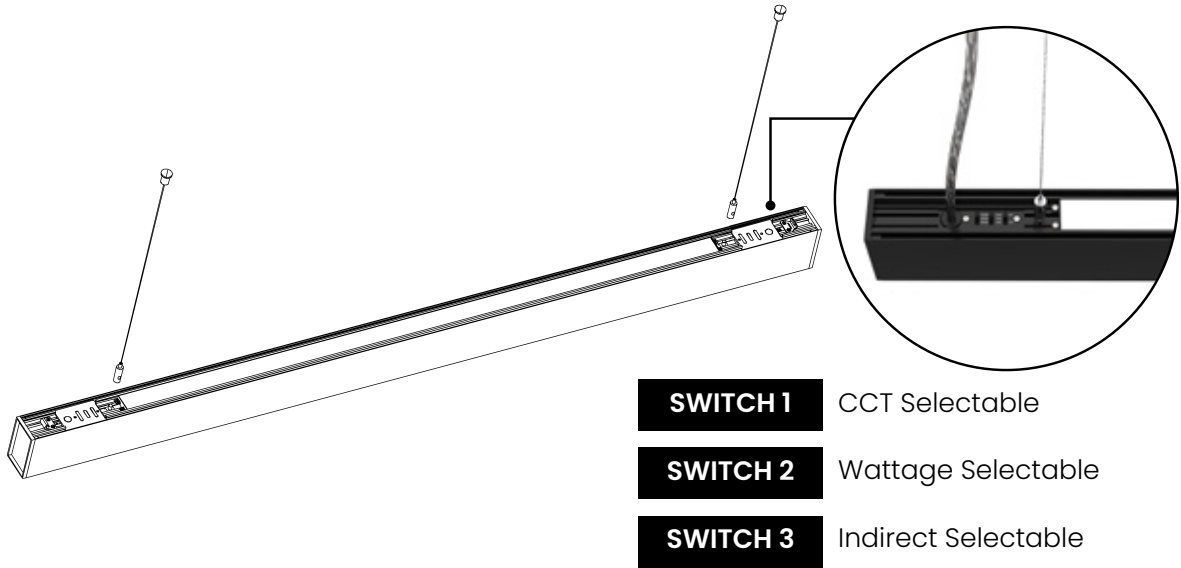
**ABOUT
SPACE**

COMBILINE
PENDANT LIGHT

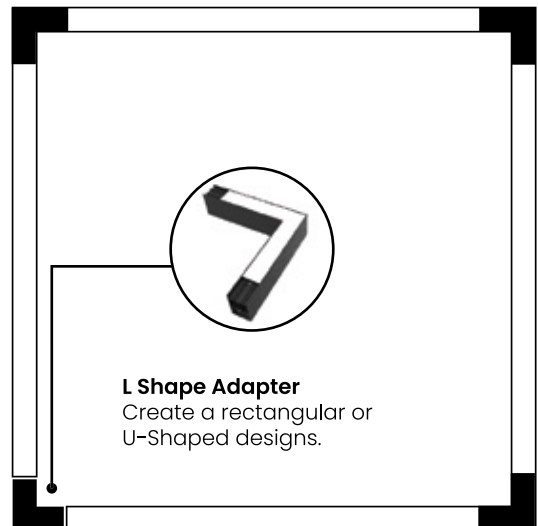
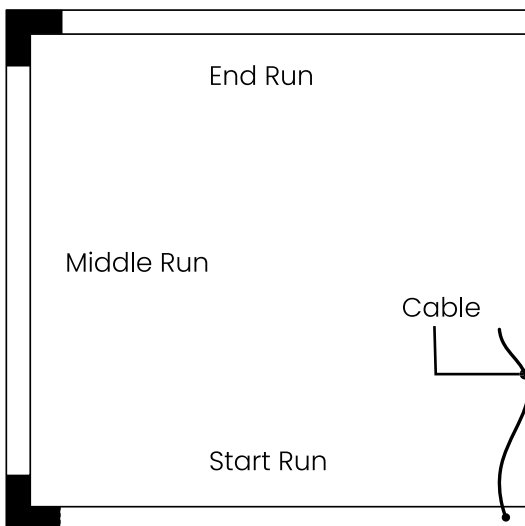
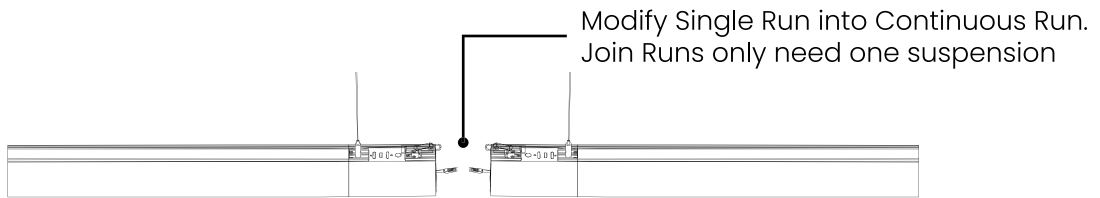


ARCHITECTURAL LINEAR LIGHT

Visual comfort and healthy lighting



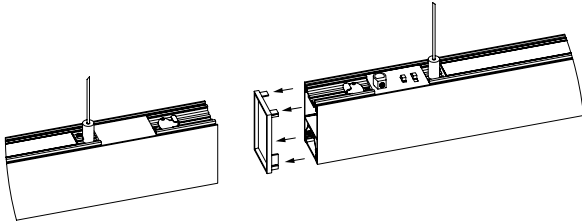
Modular System



COMBILINE- Continuous Run Installation

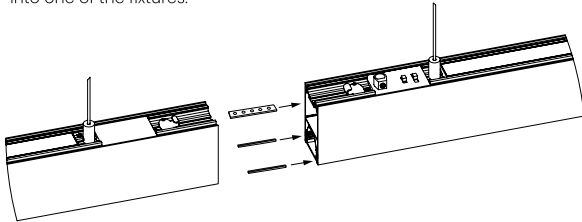
1) REMOVE ENDCAP

Remove the endcap of one fixture to expose the female connector. The endcap removed can be inserted at the open end.

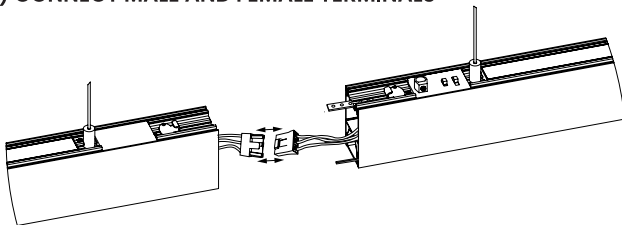


2) INSTALL TWO PINS AND CONNECTION PLATE

Insert the alignment pins and connector plate into one of the fixtures.

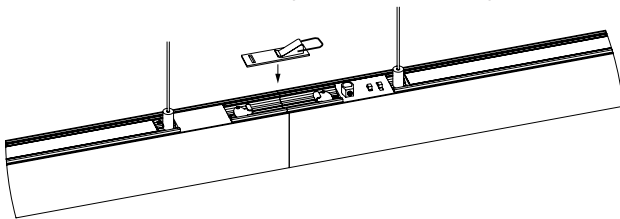


3) CONNECT MALE AND FEMALE TERMINALS



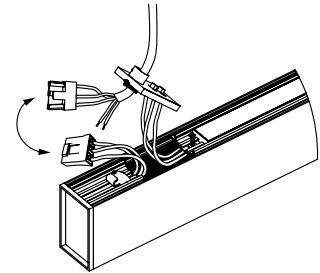
4) CONNECT FIXTURES AND TIGHTEN

Insert the exposed ends of the alignment pins and connector plate into the other fixture and secure them together with the tensioning buckle.



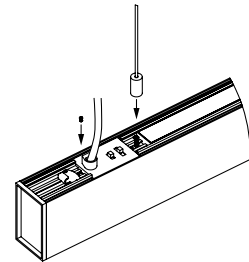
5) CONNECT POWER CABLES

Connect input cable with terminal block. Attention to the wire connection, mode and correspondence of wire definition in the below diagram.



6) RESTORE BRACKET AND INSTALL SUSPENSION

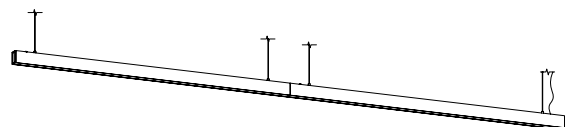
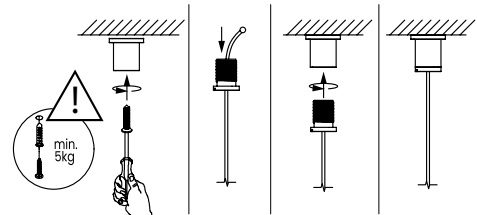
Screw the suspension wire lock into the aluminium pre-installed cable head.



blue	N	N	
yellowgreen	⊕	FG	
brown	L	L	
brown	3	L	
blue	N	N	
yellowgreen	⊕	E	
gray	1	DA/-	
black	2	DA/+	

7) MOUNT SUSPENSION KITS

Thread suspension cable through the suspension screw and rotate the suspension screw into the fixed head on the ceiling.

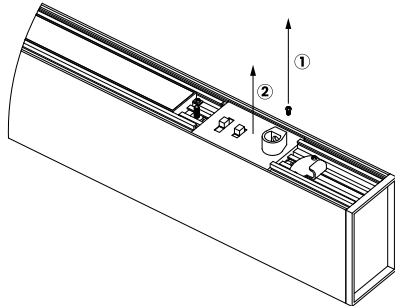


Wiring and installation must be performed by a certified electrician.

COMBILINE- Single Run Installation

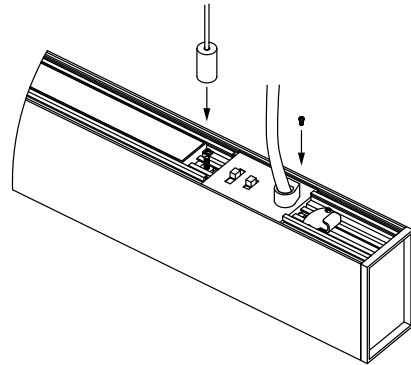
1) REMOVE BRACKET

Remove the bracket on top of the profile housing the power cable terminal by loosening the single small screw.



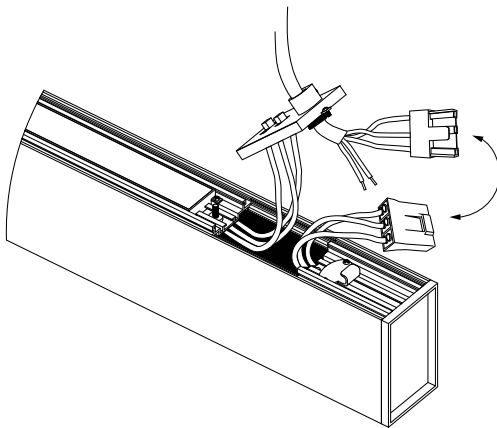
3) RESTORE BRACKET AND INSTALL SUSPENSION

Screw the suspension wire lock into the aluminium pre-installed cable head.



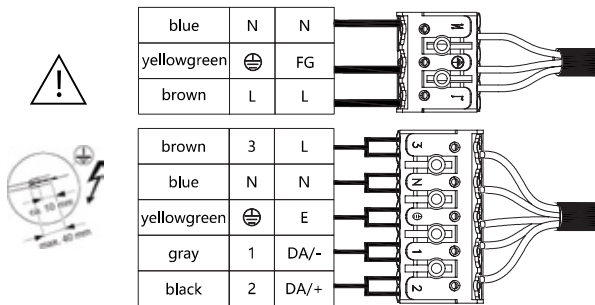
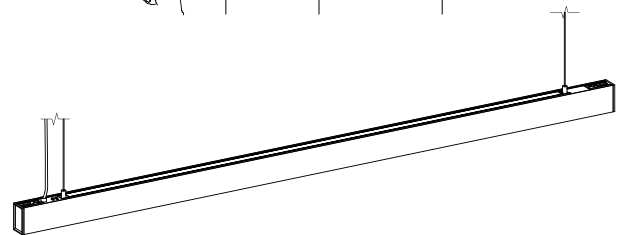
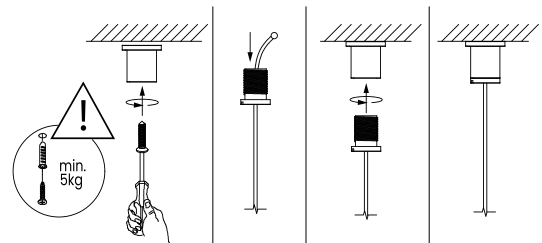
2) CONNECT POWER CABLES

Connect input cable with terminal block. Attention to the wire connection, mode and correspondence of wire definition in the below diagram.



4) MOUNT SUSPENSION KITS

Thread suspension cable through the suspension screw and rotate the suspension screw into the fixed head on the ceiling.



⚠️ Wiring and installation must be performed by a certified electrician.