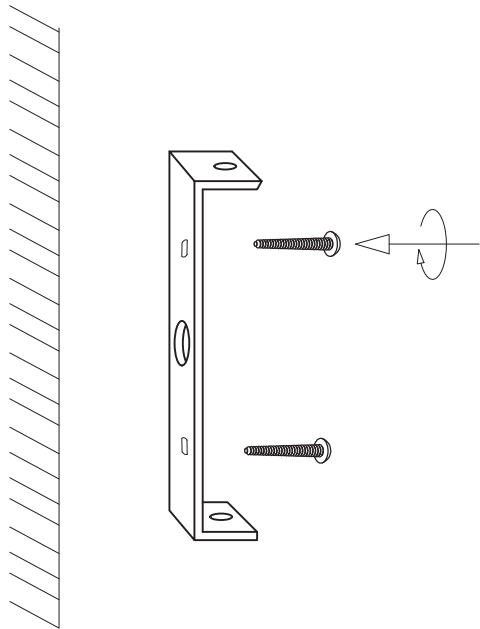
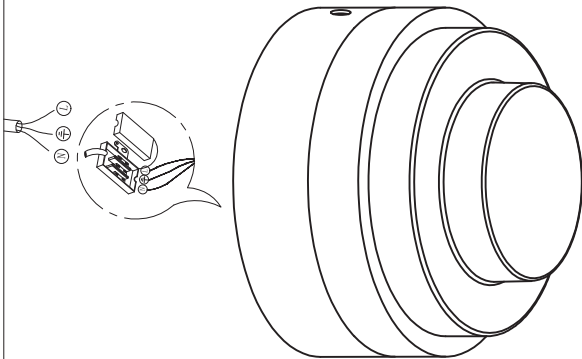


SPRITZ

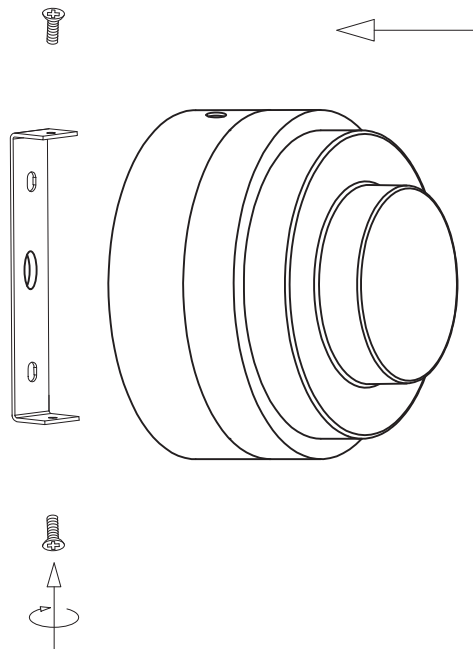
NO. 1



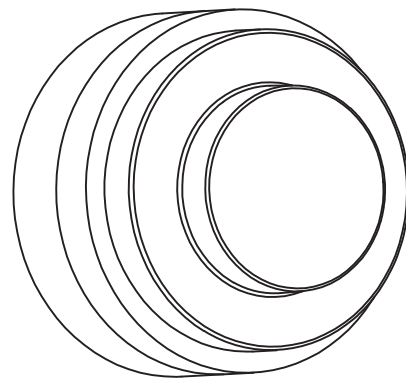
NO. 2



NO. 3



MB22030029-1A



1. This light fitting operates at a normal supply voltage of 200-240V.
2. If the external flexible cable of the lamp is damaged, it shall be exclusively replaced by the manufacturer through his service agent or a similar qualified person in order to avoid hazard.