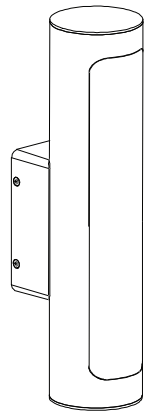
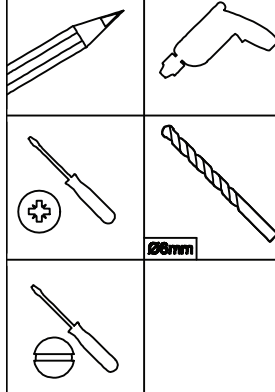


# MACK

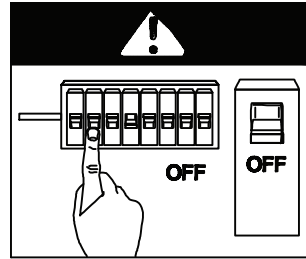
## OUTDOOR



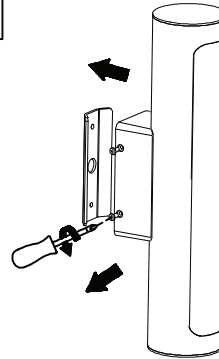
You will need



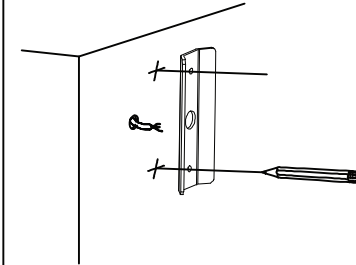
01



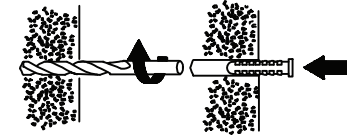
02



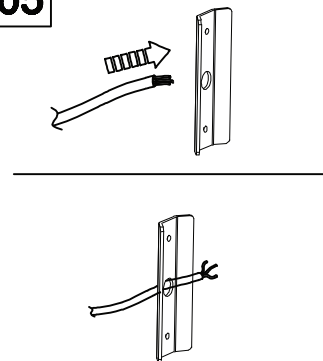
03



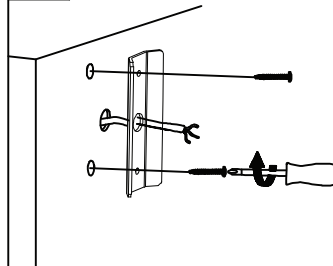
04



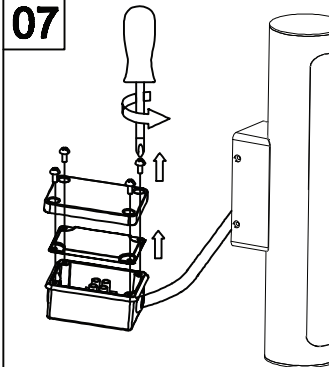
05



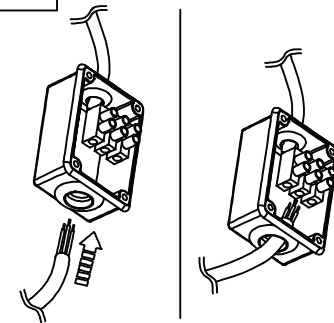
06



07

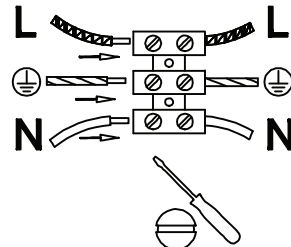


08

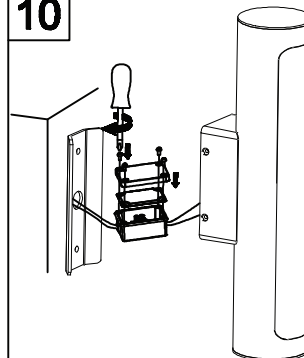


09

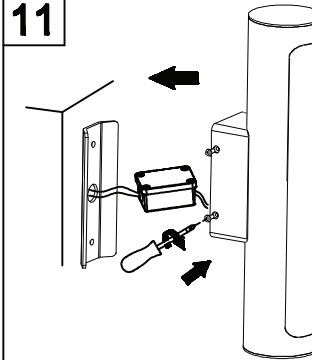
L= Brown or Red  
N= Blue  
⊕=Green/Yellow



10



11



12

