

# INSTALLATION MANUAL FOR LUCILLA CEILING

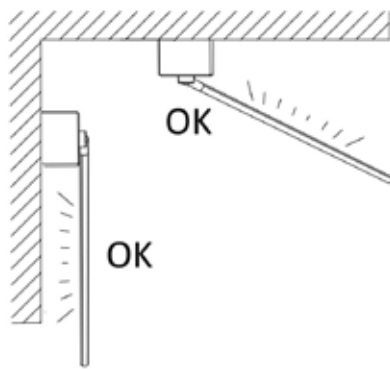
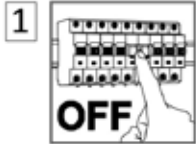
## LUCILLA CEILING

ART. 905/60 PA 1  
ART. 905/80 PA 1  
ART. 905/100 PA 1

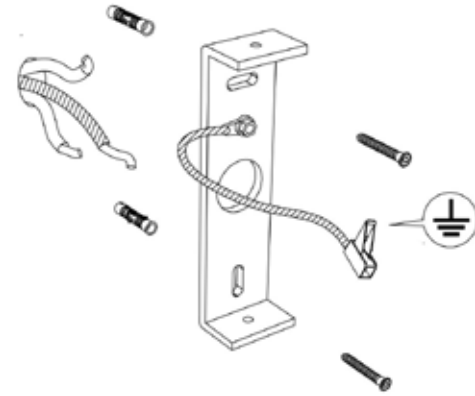
100-240 V  
CL. 1



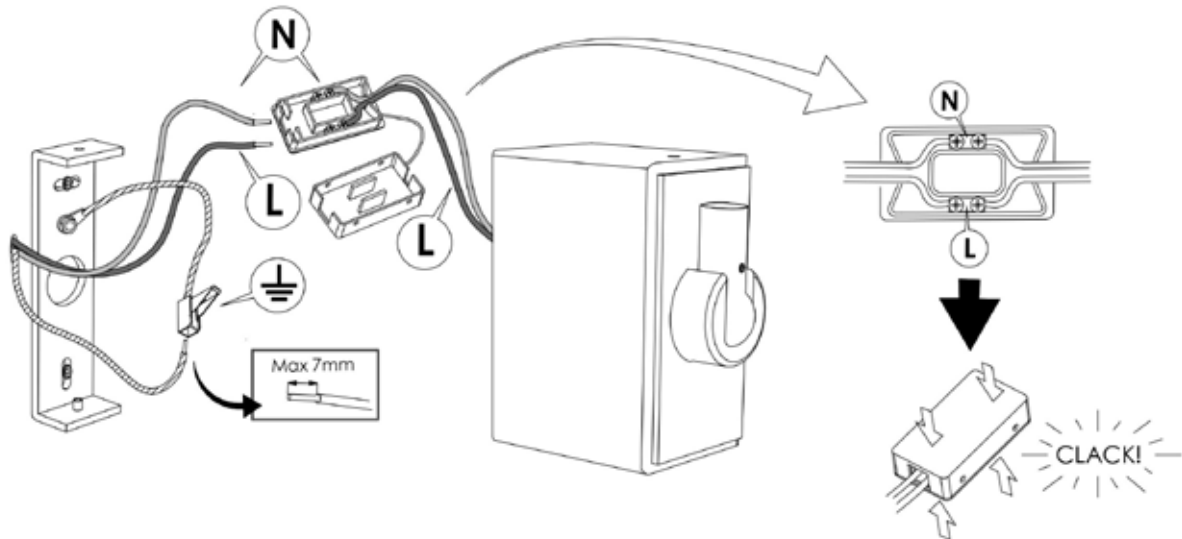
THE LIGHT SOURCE CONTAINED IN THIS LUMINAIRE SHALL ONLY BE REPLACED BY THE MANUFACTURER OR A SIMILAR QUALIFIED PERSON



2 CEILING ANCHORAGE



3 CONNECTION



# INSTALLATION MANUAL FOR LUCILLA CEILING



## LUCILLA CEILING

ART. 905/60 PA 1  
ART. 905/80 PA 1  
ART. 905/100 PA 1



100-240 V  
CL. 1

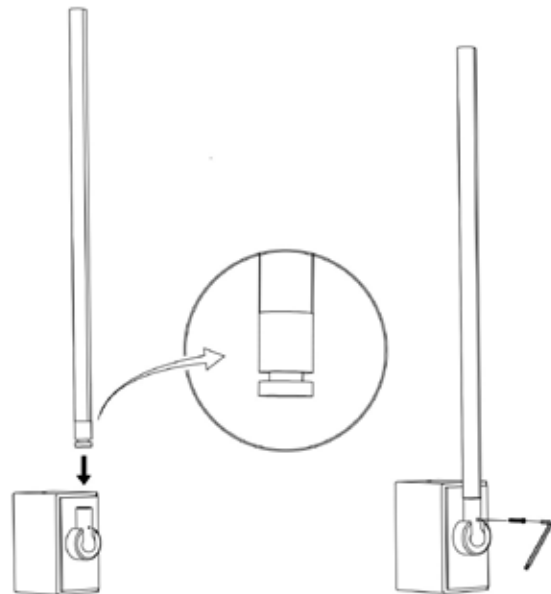


THE LIGHT SOURCE CONTAINED IN THIS LUMINAIRE SHALL ONLY BE REPLACED BY THE MANUFACTURER OR A SIMILAR QUALIFIED PERSON

### 4 CLOSURE



### 5 STEM INSTALLATION



### 6 CONFIGURATIONS

