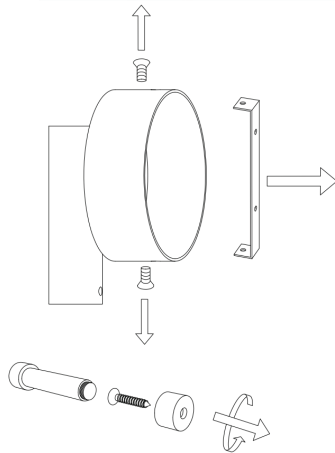


Installation manual

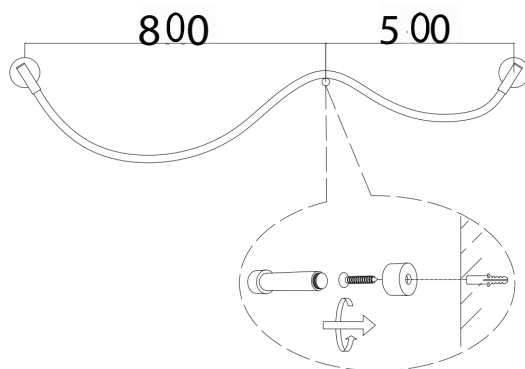


1. Check the manual before installation;
2. The installation personnel should be professional electricians;
3. Do not connect the high and low voltage wires of the driver in reverse (the damage to the lighting fixture is irreversible).
Please try to turn it on before installing it!

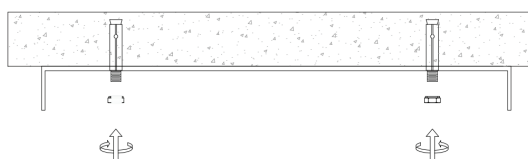
1 Disassemble the bottom box and bracket



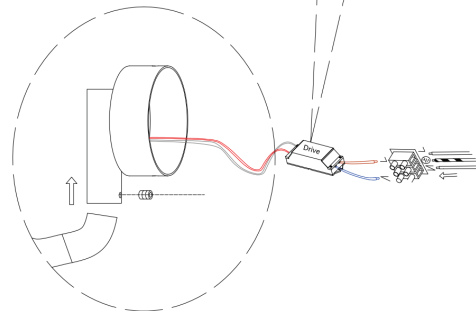
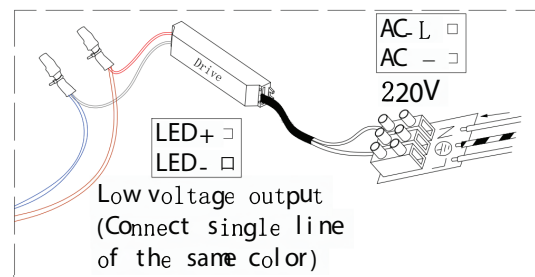
2 Positioning



3 Fixed bracket



4 Drive wiring and high-voltage wiring



5 Install the entire lamp on the wall

