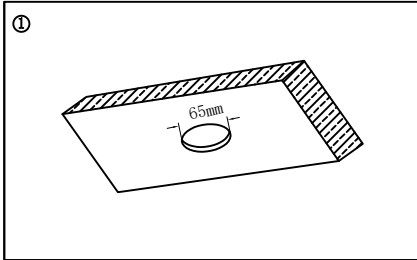


# BARCO CEILING RECESSED



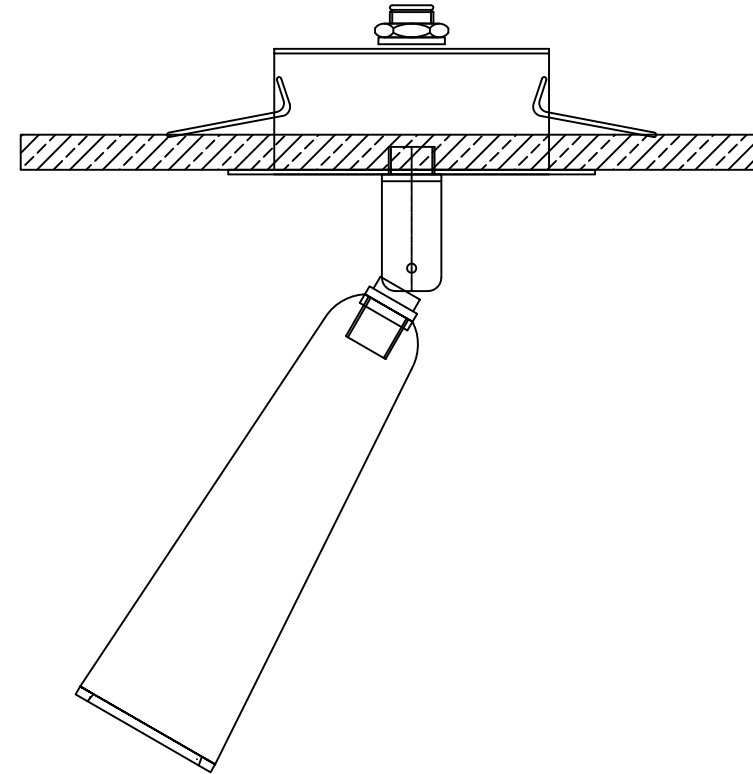
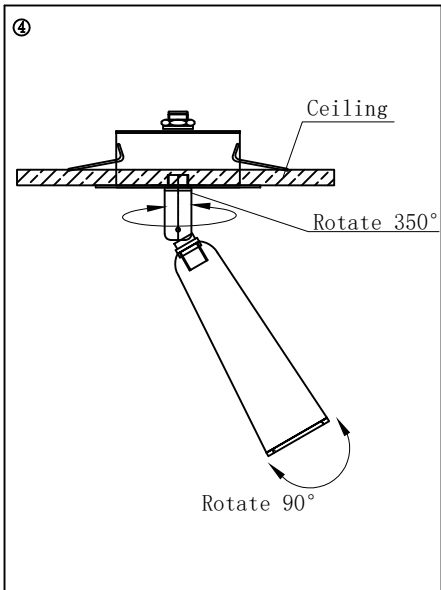
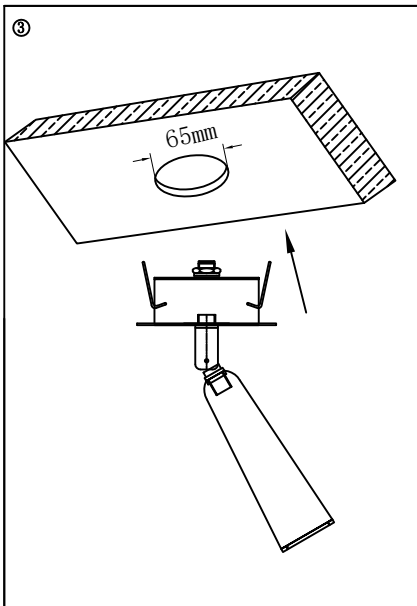
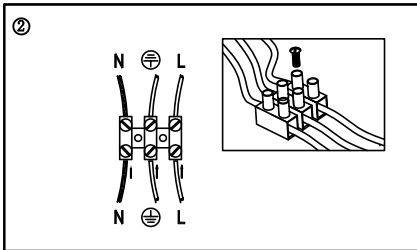
Product Name: Ceiling Lamp

Item No :BARCO CEILING RECESSED

Light Source: LED COB 1\*5W

Installation Steps:

1. Ceiling opening D65mm drawing (1) showing.
2. Connect the electronic wire as drawing (2) showing
3. Push the chassis spring clip into the ceiling hole screws as drawing (3) showing.
4. Adjust the lamp cap to a proper angle drawing (4) showing.



Cautions:

1. The electronic wire should be changed if it is damaged.
2. The installation and maintain must be done by professional worker.
3. Please turn off the power before change the LED.