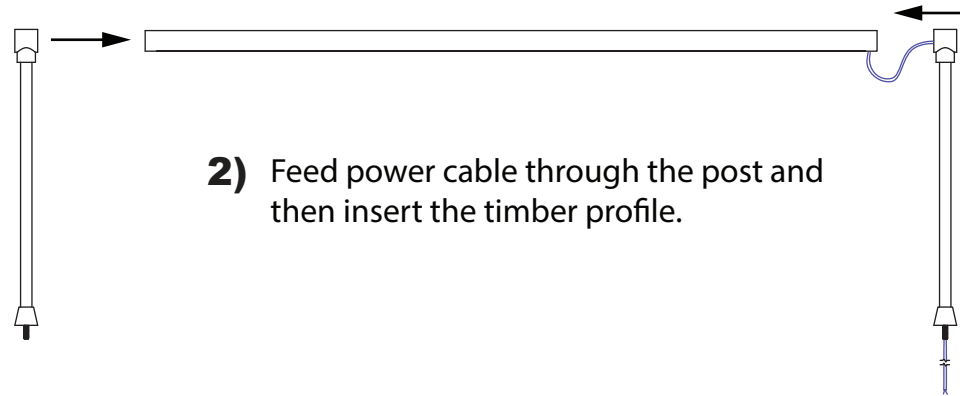


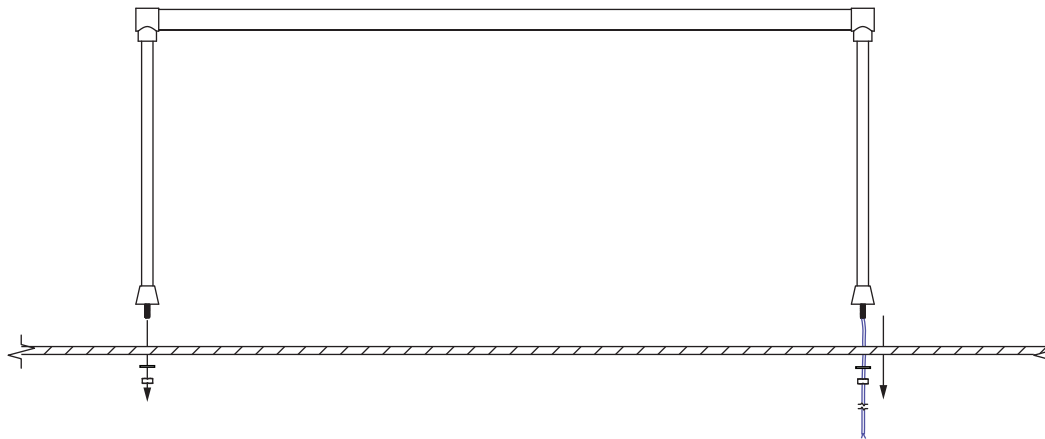
2BY4 SURFACE MOUNTED INSTALLATION MANUAL

1) Insert non-powered 2BY4 rail end.

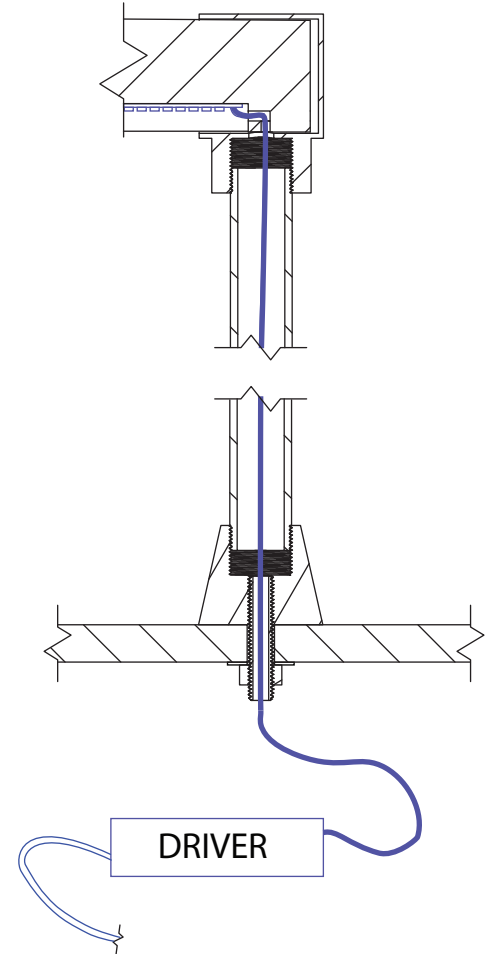
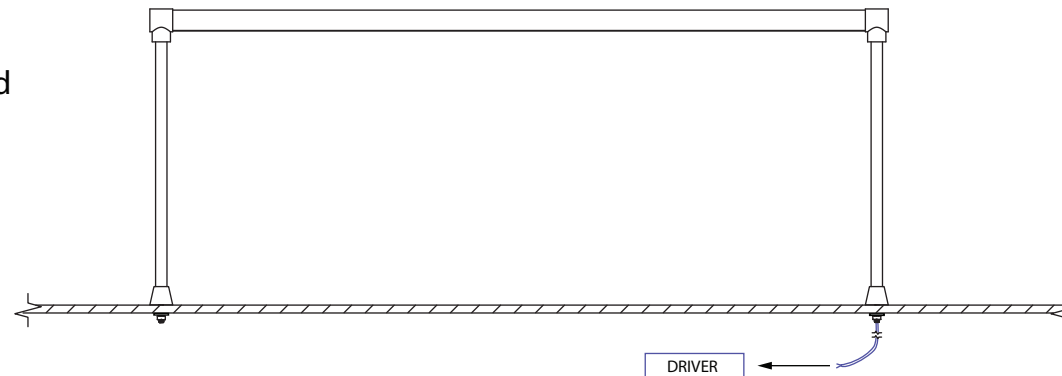


2) Feed power cable through the post and then insert the timber profile.

3) Feed cable through the mounting surface and fasten with the provided nut and washer.



4) Ensure electrical cable is connected to the supplied driver before finalising installation.



***MUST BE CONNECTED TO DRIVER BEFORE WIRED DIRECTLY TO 240V**