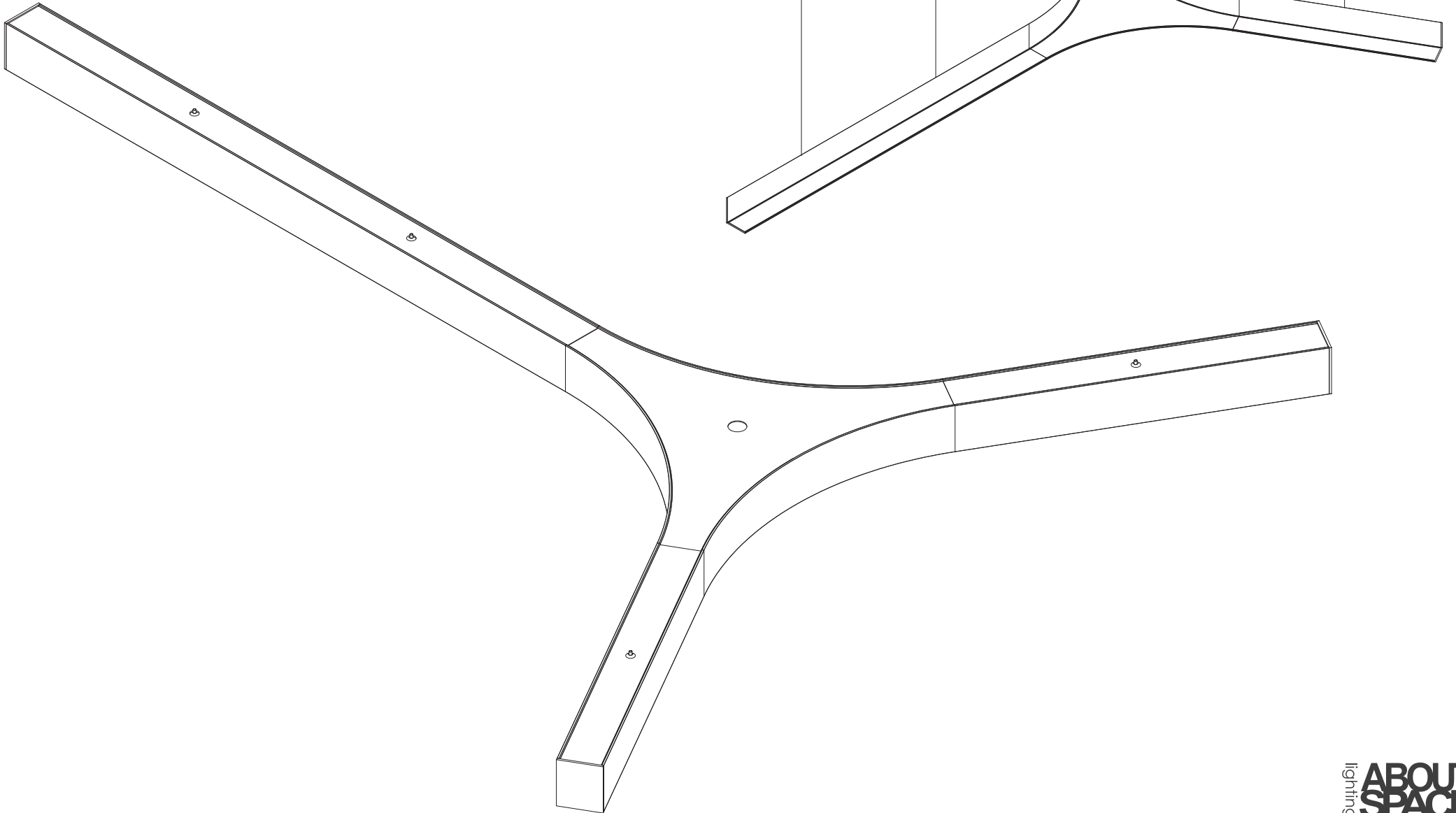
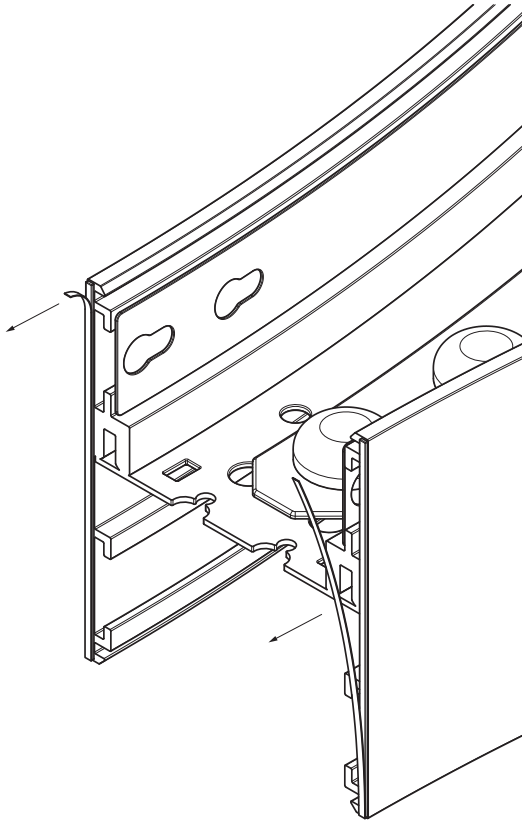


lighting **ABOUT
SPACE**
ALUZOY INSTALLATION MANUAL



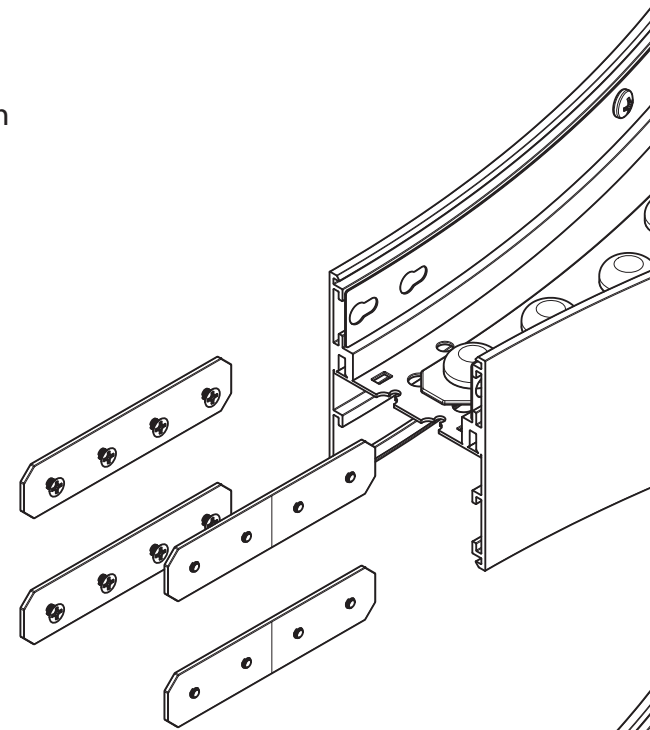
1) REMOVE TAPE

Peel the protective coloured tape exposing the foam adhesive seal on the ends of the 3-way part.



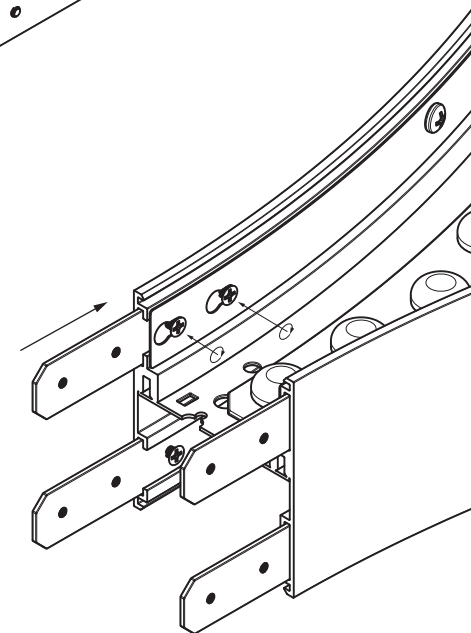
2) ALIGN CONNECTORS

Align the supplied connectors with the corresponding channels in the 3-way part.



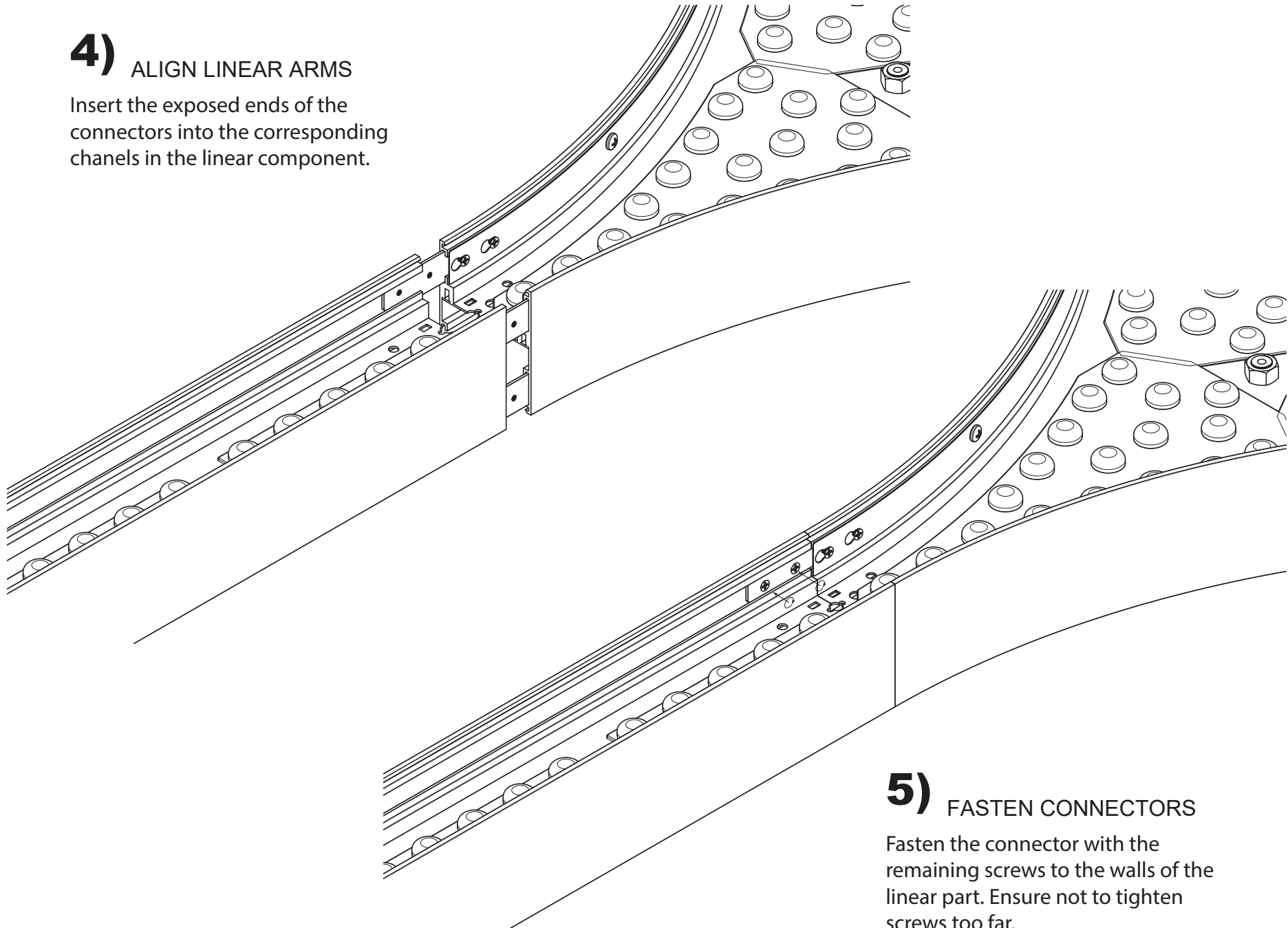
3) INSERT CONNECTORS

Ensure the holes in the connector align with the keyhole in the white lining. Fasten the first two holes of the connectors with the supplied screws leaving the other two holes exposed at the ends.



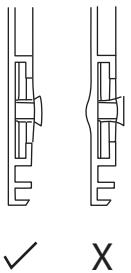
4) ALIGN LINEAR ARMS

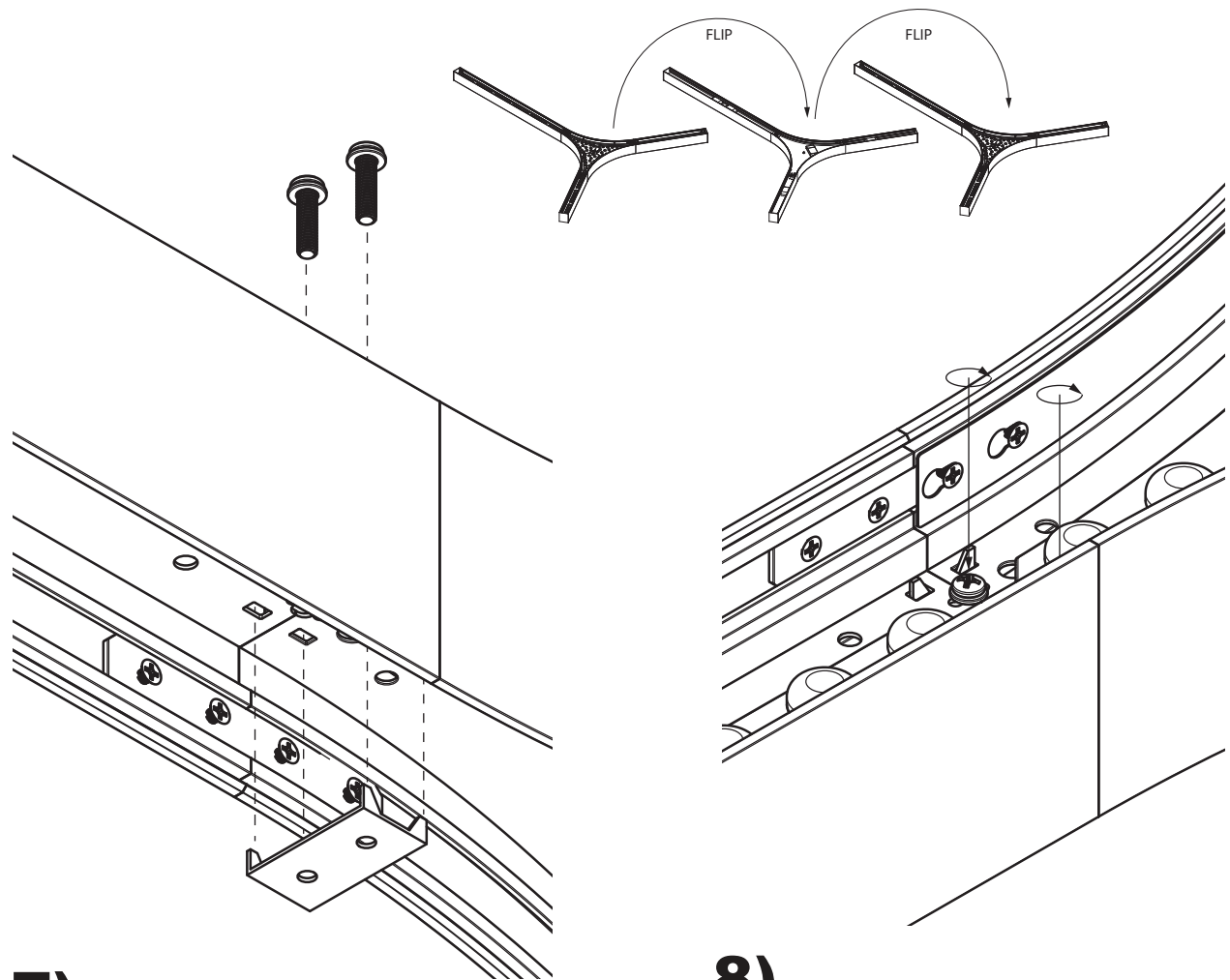
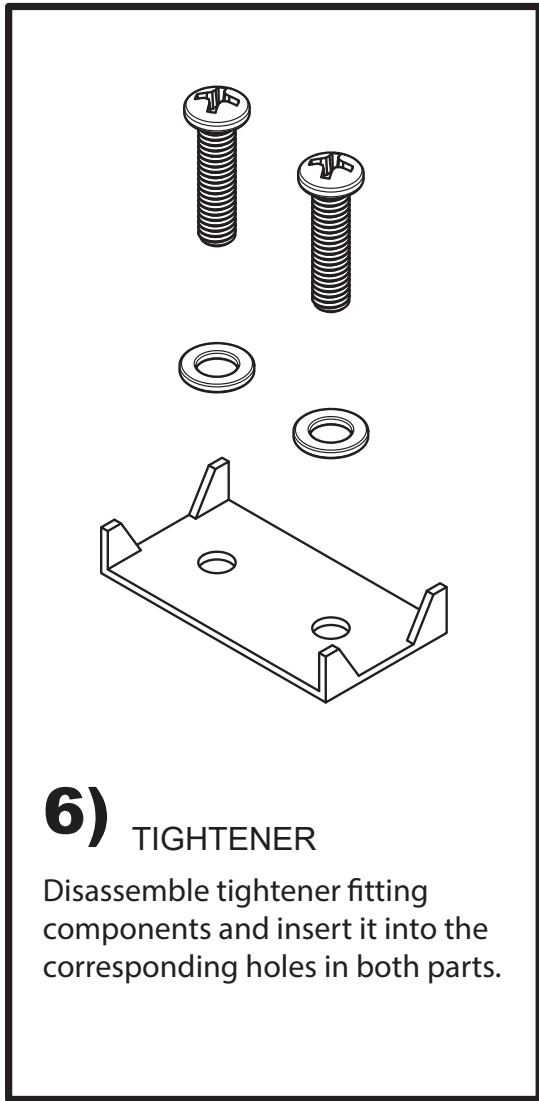
Insert the exposed ends of the connectors into the corresponding channels in the linear component.



5) FASTEN CONNECTORS

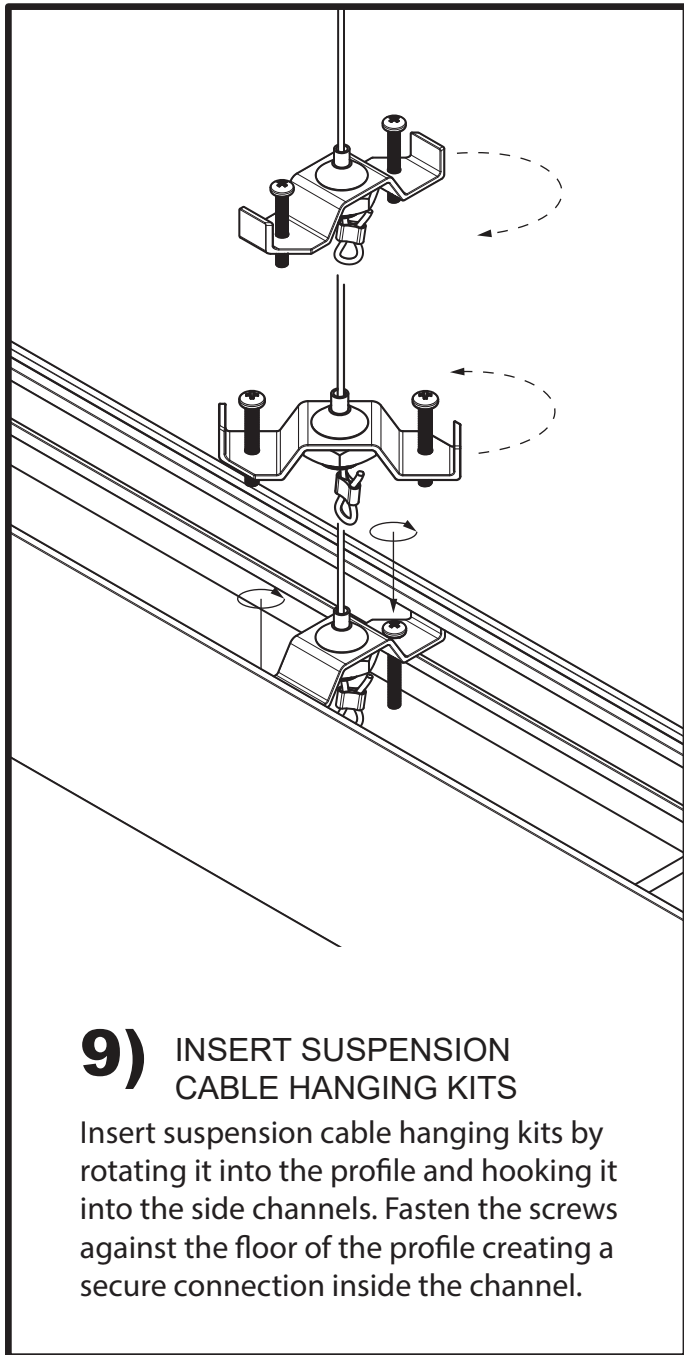
Fasten the connector with the remaining screws to the walls of the linear part. Ensure not to tighten screws too far.





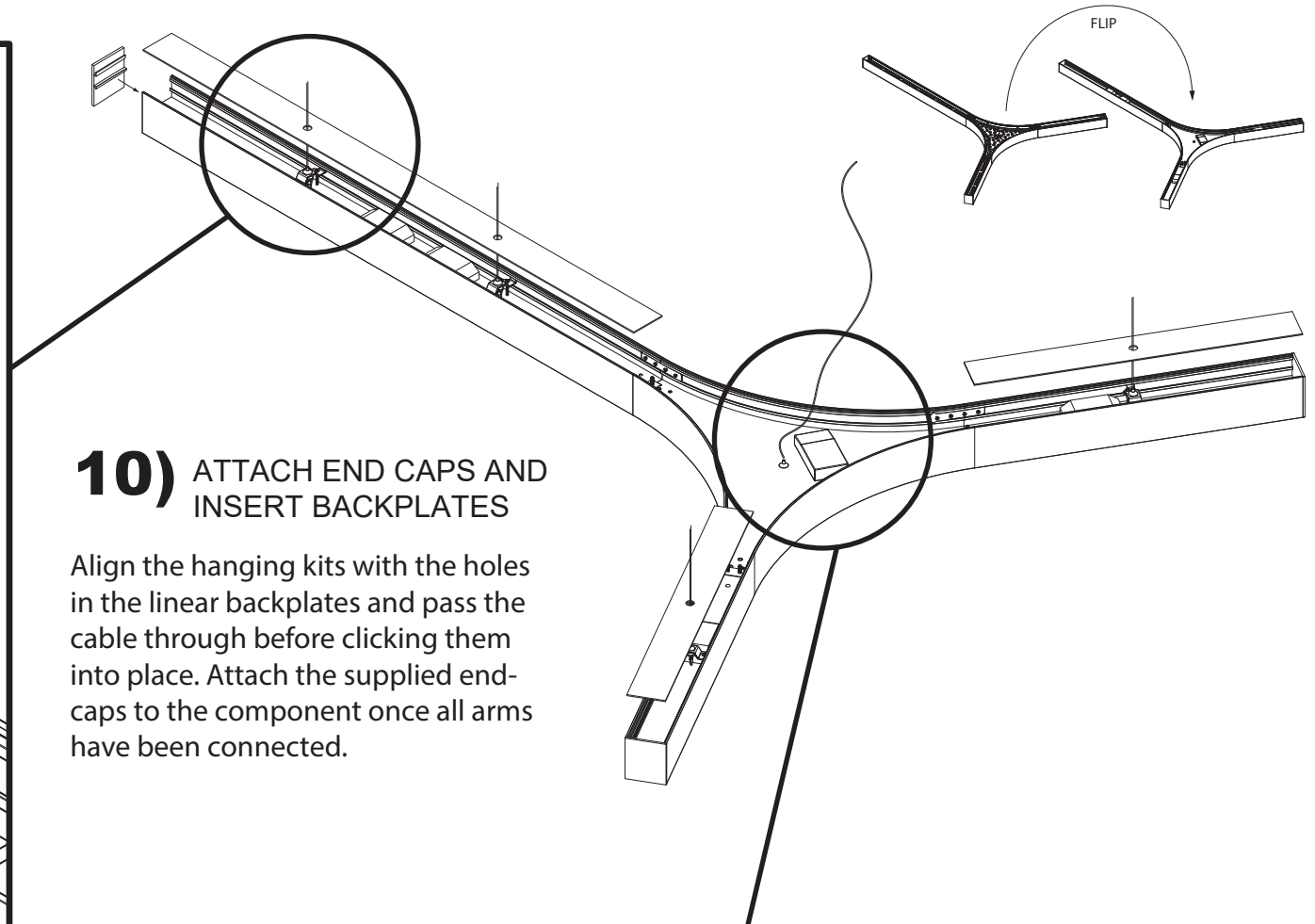
7) ALIGN SCREWS
 Align the provided screws and washers with the holes in the tightener fitting and the holes at the join of the two parts.

8) FASTEN SCREWS
 Fasten the tightener fittings creating a secure join between the two parts. The screw heads should be visible on the same side as the LED.



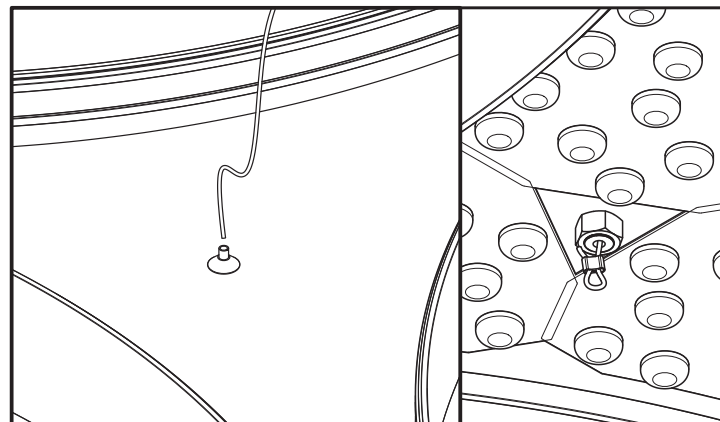
9) INSERT SUSPENSION CABLE HANGING KITS

Insert suspension cable hanging kits by rotating it into the profile and hooking it into the side channels. Fasten the screws against the floor of the profile creating a secure connection inside the channel.



10) ATTACH END CAPS AND INSERT BACKPLATES

Align the hanging kits with the holes in the linear backplates and pass the cable through before clicking them into place. Attach the supplied end-caps to the component once all arms have been connected.

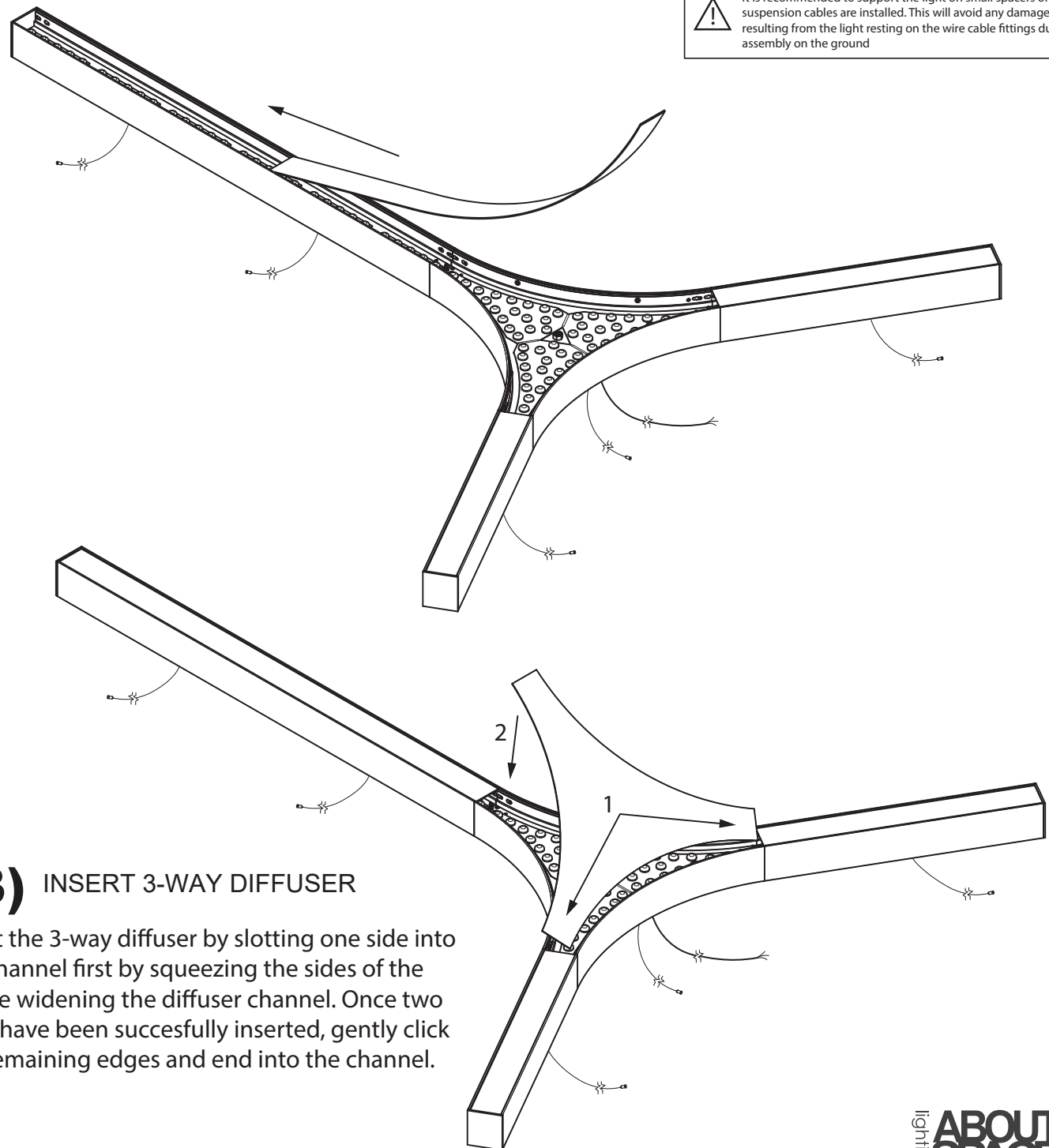
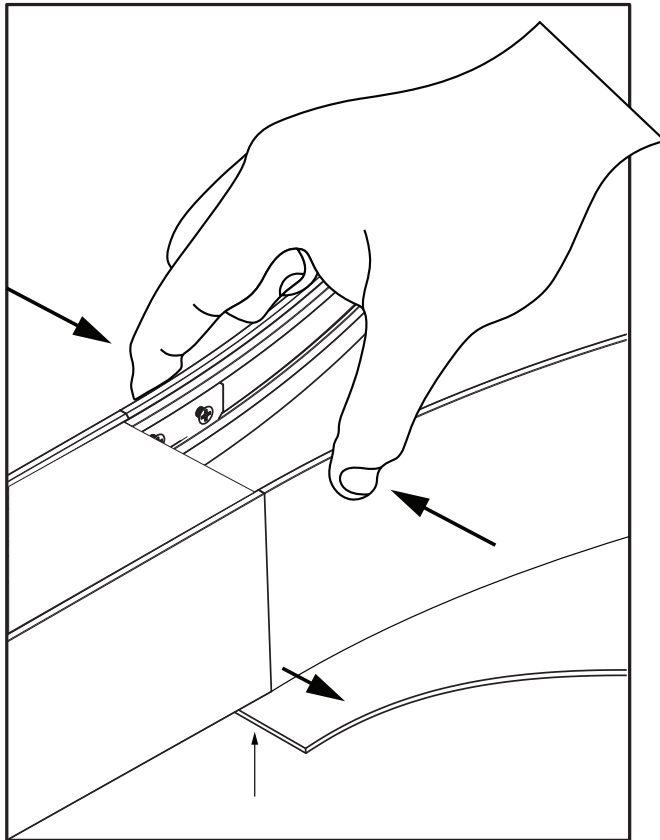
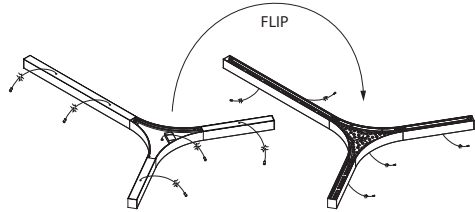


11) INSERT CENTRAL SUSPENSION CABLE

Insert the central suspension cable into the one-way cable grip fixed to the component. Pull on the cable to test it does not slide out. To ensure greater security, it is advised that the wire be cable clamped to prohibit it from releasing over time.

12) INSERT LINEAR DIFFUSERS

Flip the component over once the central suspension cable has been attached and insert the linear diffusers into the arms.



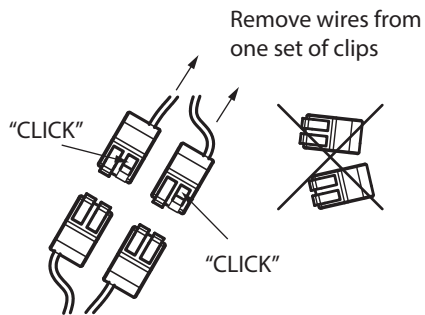
13) INSERT 3-WAY DIFFUSER

Insert the 3-way diffuser by slotting one side into the channel first by squeezing the sides of the profile widening the diffuser channel. Once two ends have been successfully inserted, gently click the remaining edges and end into the channel.

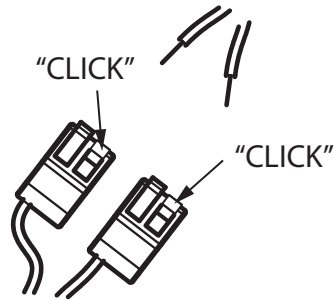
14) LED CONNECTIONS

To connect the LED's in the arms to the main power in the 3-way component, remove the clips from the leads in the arm and insert the exposed wires into the correct inputs in the clips from the 3-way driver.

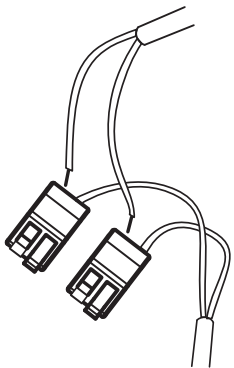
a) Unlock wires from clips.



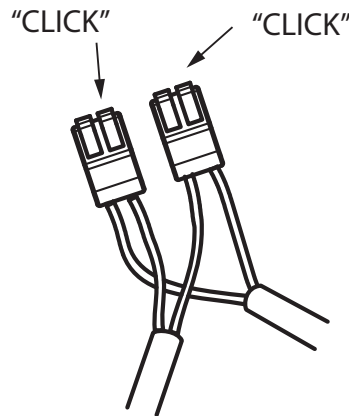
b) Unlock the unused inputs.



c) Insert the exposed wires into the unused inputs, matching the polarity.

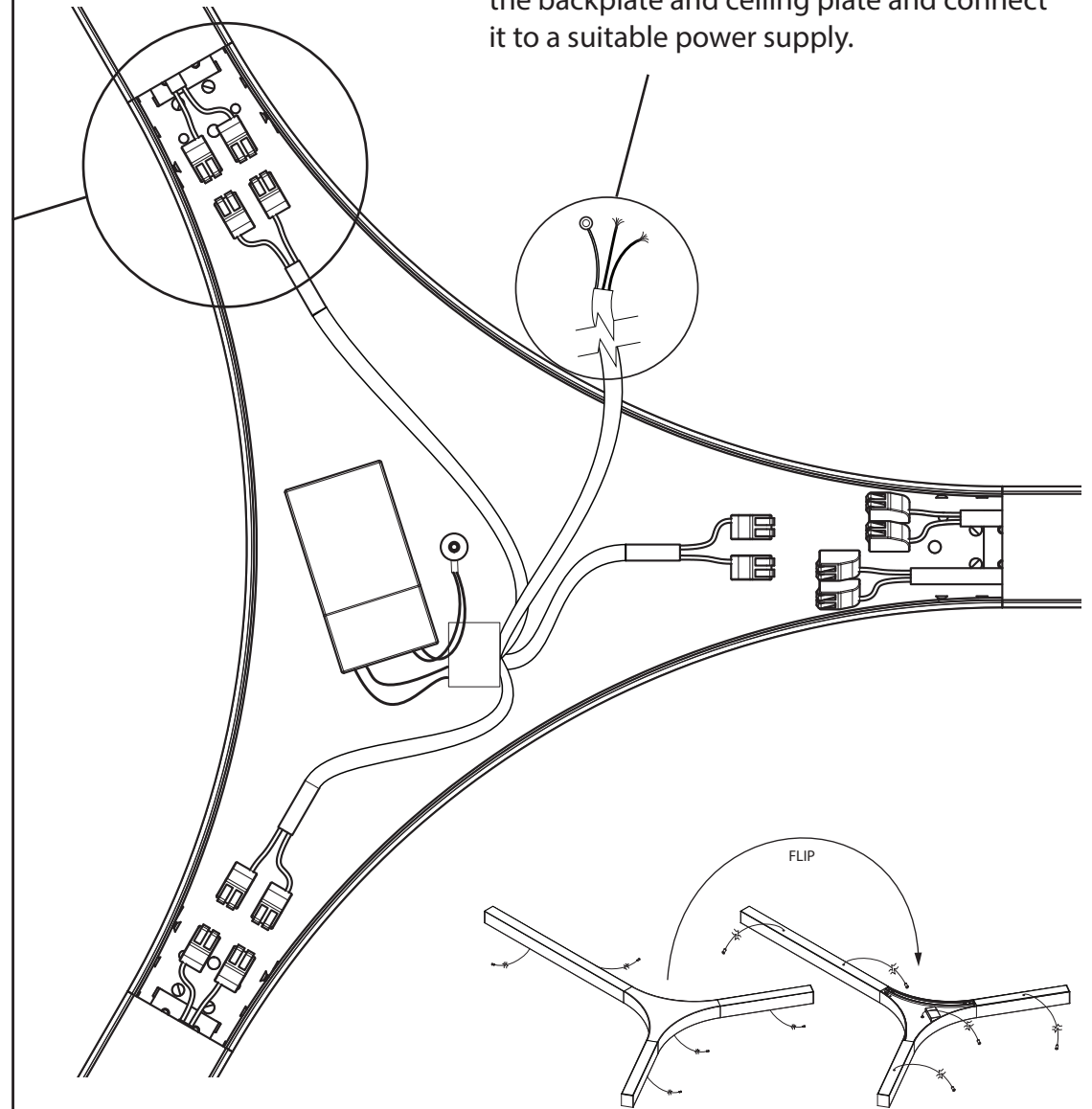


d) Lock the wires into the clips.



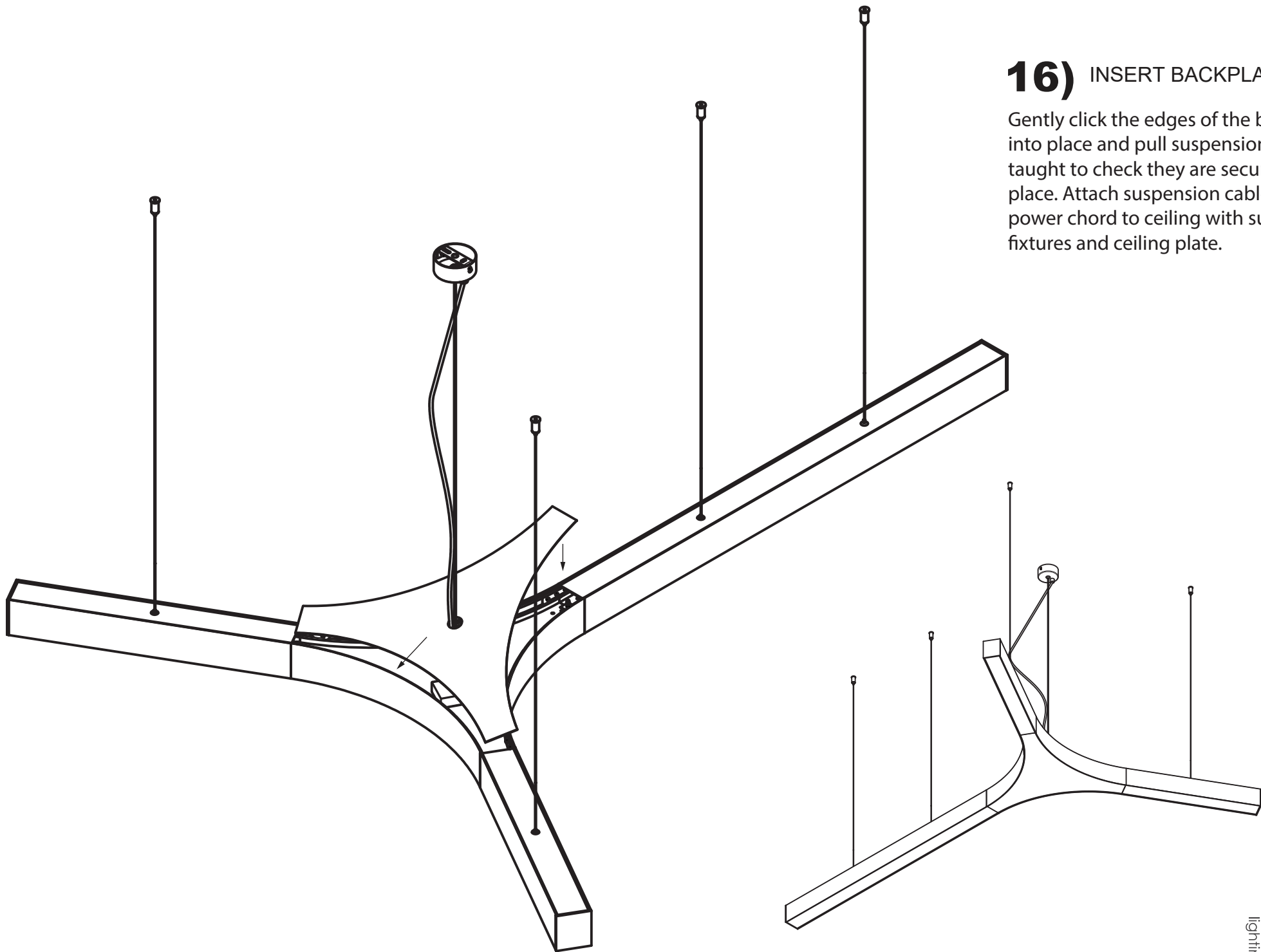
15) POWER CABLE

Feed the power cable through the hole in the backplate and ceiling plate and connect it to a suitable power supply.



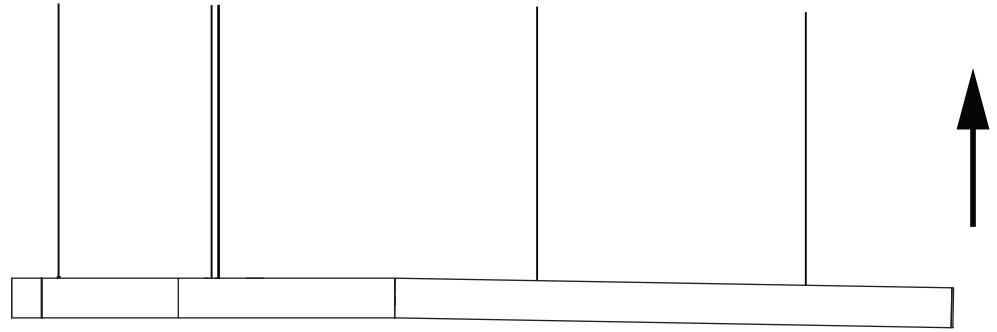
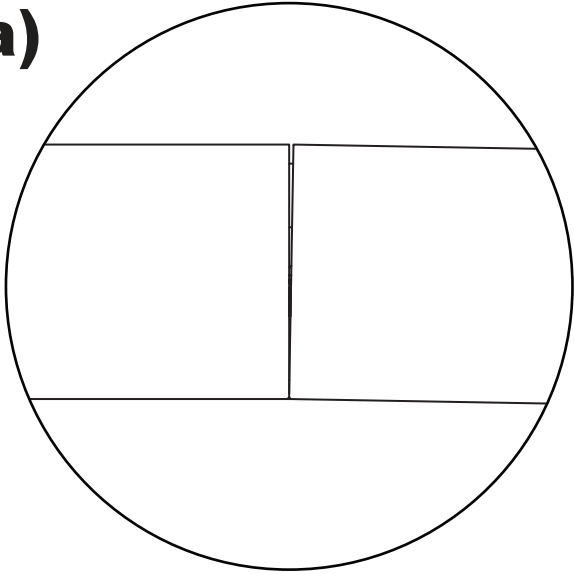
16) INSERT BACKPLATE

Gently click the edges of the backplate into place and pull suspension cables taught to check they are securely in place. Attach suspension cables and power chord to ceiling with supplied fixtures and ceiling plate.



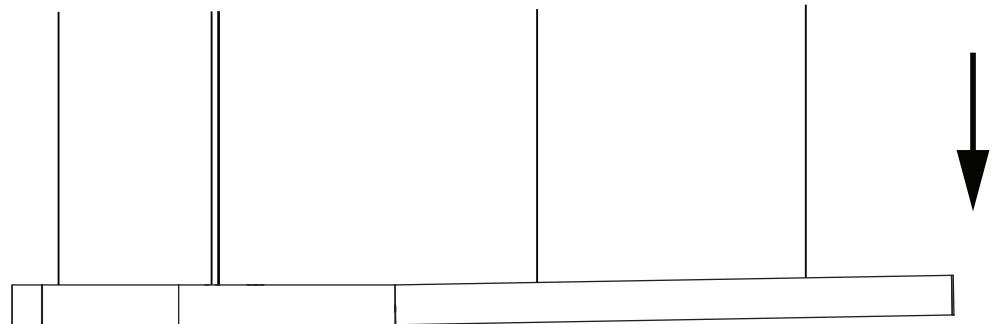
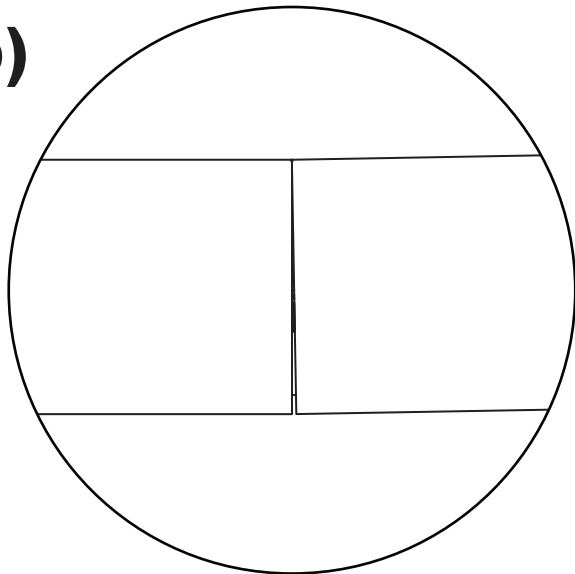
17) CHECK ARM LEVEL

a)



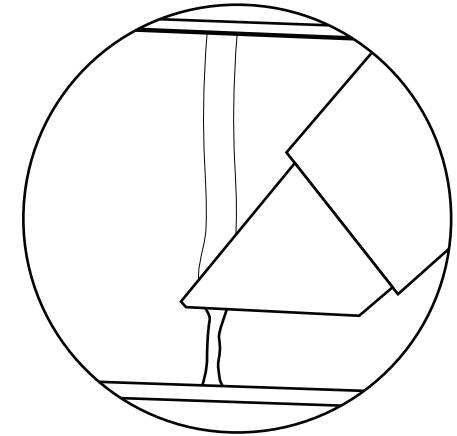
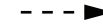
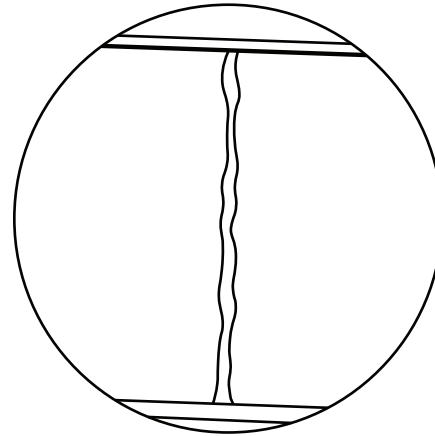
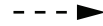
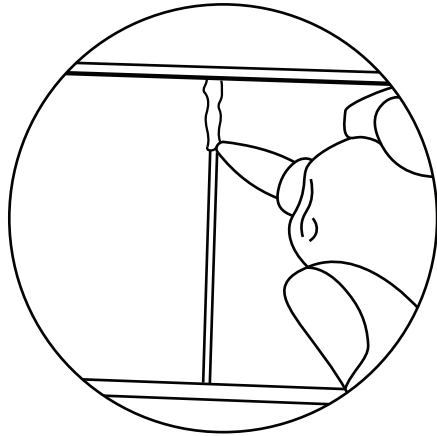
If a gap appears towards the top, lift the arm just enough to eliminate the gap.

b)



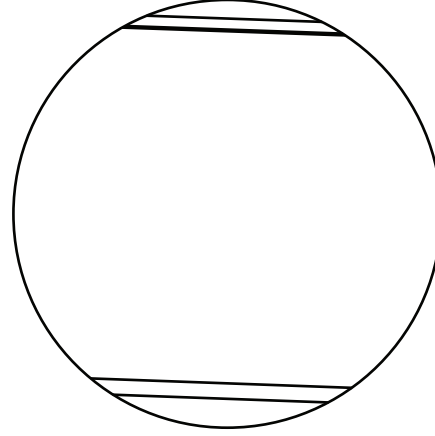
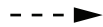
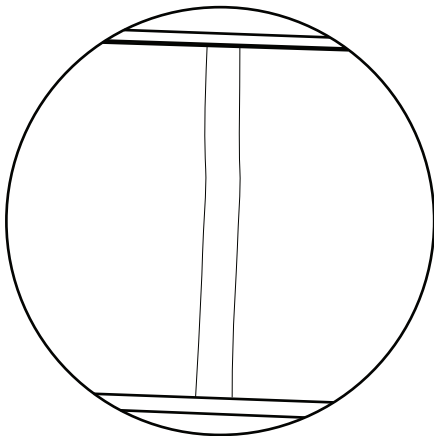
If a gap appears towards the bottom, lower the arm just enough to eliminate the gap.

18) FILL GAPS



a) If a gap between diffusers is still visible, fill the gap with supplied sealant

b) Smooth excess sealant with knife



c) Turn on light and view from at least 1m