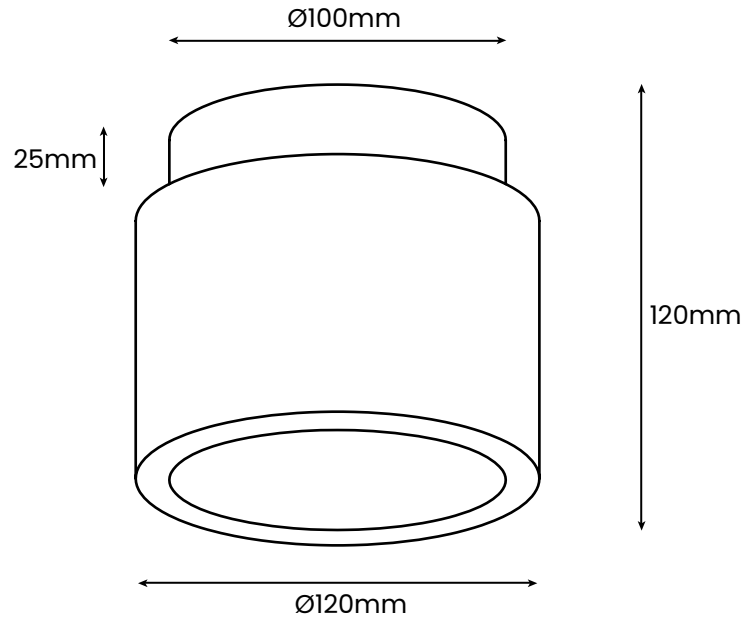


# WILMA TRAVERTINE

CEILING/WALL LIGHT

ABOUT  
SPACE





**FINISH:**

- Black Travertine with Black Wall Plate
- Natural Travertine with Black Wall Plate

**MATERIAL:**

Travertine & Steel

**DIMENSIONS:**

Diameter:  $\varnothing$ 120mm  
H: 120mm

Wall Plate

Diameter:  $\varnothing$ 100mm  
H: 25mm

Shade

Diameter:  $\varnothing$ 120mm

**LIGHT SOURCE:** LED

**CRI:** 90

**KELVIN:** 3000K

**WATTAGE:** 3W

**LUMENS:** 180lms

**WARRANTY:** 3 YEARS

**IP RATING:** IP20

**DIMMABLE:** NO

**WEIGHT:** 1.2kg

DISCLAIMER: Product colour may slightly vary due to photographic lighting sources, your monitor settings and other similar factors  
For more details, please visit: [aboutspace.net.au/pages/terms-conditions](https://aboutspace.net.au/pages/terms-conditions)