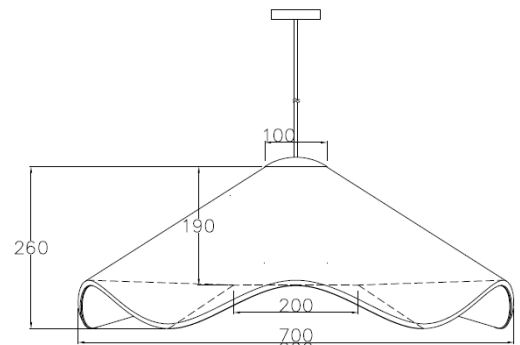


**CAROLINE 700 GLD**

**ID: 130840**



FINISH	GOLD
MATERIAL	STEEL,FABRIC
DIMENSIONS	DIAM: 700mm x H: 260mm DROP: 1800mm
LIGHT SOURCE	3 x E27 (NOT INCLUDED)
WARRANTY	1 YEAR

## DESCRIPTION

Caroline Pendant Gold 3 x E27 Diam:700mm x H: 260mm Drop:1800mm

**Disclaimer:** Product colour may slightly vary due to photographic lighting sources, your monitor settings and other similar factors. For more details, please visit: <https://www.aboutspace.net.au/pages/terms-conditions>