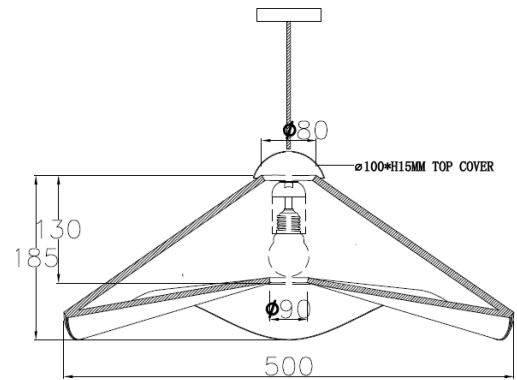


CAROLINE 500 GLD

ID: 130839



FINISH	GOLD
MATERIAL	STEEL,FABRIC
DIMENSIONS	DIAM: 500mm x H: 200mm DROP: 1800mm
LIGHT SOURCE	E27 (NOT INCLUDED)
WARRANTY	1 YEAR

DESCRIPTION

Caroline Pendant Gold 1 x E27 Diam: 500mm x H: 200mm Drop:1800mm

Disclaimer: Product colour may slightly vary due to photographic lighting sources, your monitor settings and other similar factors. For more details, please visit: <https://www.aboutspace.net.au/pages/terms-conditions>